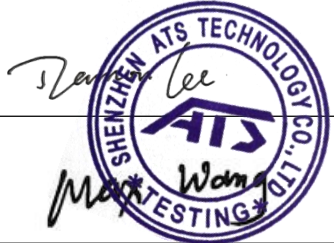





TEST REPORT EN 15194:2017 Cycles - Electrically power assisted cycles - EPAC Bicycles	
Report Number	ATS230823056LR
Date of issue	Aug. 29, 2023
Testing laboratory	Shenzhen ATS Testing Technology Co., Ltd.
Address	Floor 3, Building C, 6373 Baoan Avenue, Fuhai Street, Baoan District, Shenzhen
Testing location	As above
Applicant's name	Shenzhen Coswheel Technology Co., Ltd
Address	Room 415, No.115, Rongtai Garden One, Wanfeng Community, Xinqiao Street, Bao'an District, Shenzhen
Test specification:	
Standard	EN 15194:2017
Test procedure	N/A
Non-standard test method	N/A
Test Report Form No	EN 15194
Test Report Form(s) Originator	ATS
Master TRF	N/A
Test item description	Electric Bike
Trade Mark	COSWHEEL
Manufacturer	Dongguan Coswheel Technology Co., Ltd Room 701, No. 10, Min'er Road, Wusha Community, Chang'an Town, Dongguan, Guangdong, China
Model/Type reference	GT20, T24
Ratings	Adaptor: Input: AC110-240V, 50Hz, 5A Output: DC54.6V===3A Electro: input: DC54.6V===3A

Responsible Testing Laboratory (as applicable), testing procedure and testing location(s):		
Testing Laboratory:	Shenzhen ATS Testing Technology Co., Ltd.	
Testing location/ address.....	Floor 3, Building C, 6373 Baoan Avenue, Fuhai Street, Baoan District, Shenzhen	
Tested by (name + signature).....:	Damon Lee	
Approved by (name + signature).....:	Max Wang	

Summary of testing:				
Tests performed (name of test and test clause):				Testing location:
4	Safety requirements and/or protective measures	Applicable	Pass	1)
5	Marking, labelling	Applicable	Pass	-
6	Instruction for use	Applicable	Pass	-

Test item particulars.....:	
Temperature.....:	24.8°C
Relative humidity.....:	40-50%
Atmospheric pressure.....:	(9.0±0.2)kPa
Mass of the equipment (kg).....:	See instruction
Possible test case verdicts:	
- test case does not apply to the test object.....:	N/A
- test object does meet the requirement.....:	P (Pass)
- test object does not meet the requirement.....:	F (Fail)
Testing.....:	
Date of receipt of test item.....:	Aug. 23, 2023
Date (s) of performance of tests.....:	Aug. 23, 2023-Aug. 29, 2023

General remarks:

The test results presented in this report relate only to the object tested.

This report shall not be reproduced, except in full, without the written approval of the Issuing testing laboratory.

"(See Enclosure #)" refers to additional information appended to the report.

"(See appended table)" refers to a table appended to the report.

Throughout this report a comma / point is used as the decimal separator.

Clause numbers between brackets refer to clauses in report

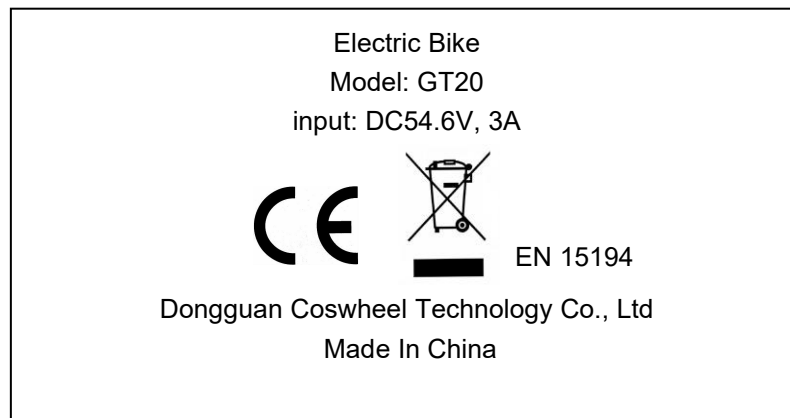
Attachment No. 1: 1 page of photo.

General product information:

Electric Bike with battery and class I adaptor.

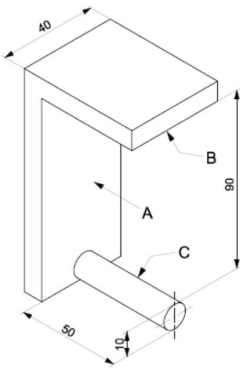
Copy of marking plate:

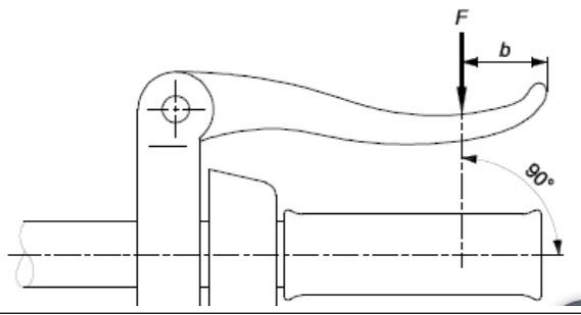
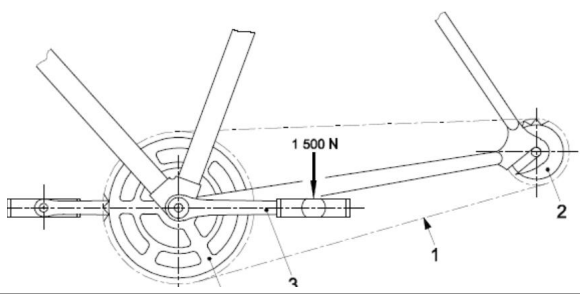
The artwork below may be only a draft. The use of certification marks on a product must be authorized by the respective NCBs that own these marks.

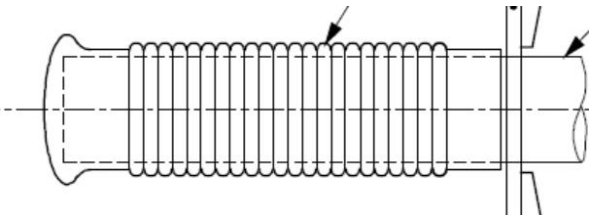


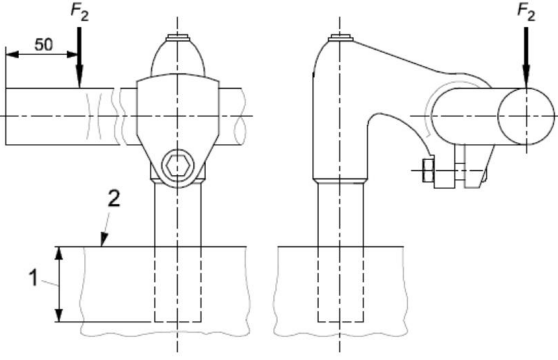
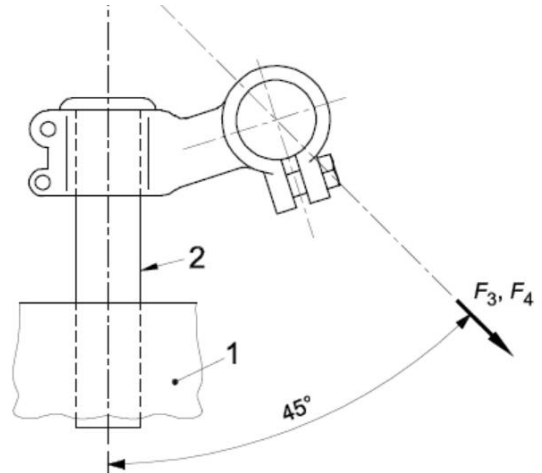
EN 15194			
Clause	Requirement – Test	Result – Remark	Verdict
4	Safety requirements and/or protective measures		P
4.2	Electrical requirements		P
4.2.1	Electric circuit		P
	The electrical control system shall be designed so that, should it malfunction in a hazardous manner, it shall switch off power to the electric motor without causing a hazardous situation and it requires user interaction to switch on again..		P
4.2.2	Controls and symbols	On, off	P
4.2.3	Batteries		P
	Battery terminals are short-circuited with the batteries in a fully charged condition. Motor terminals are short-circuited; all commands are in "ON" position, while the batteries are fully charged. The EPAC is operated with the electric motor or drive system blocked until the motor torque stops or the battery is fully discharged. The battery is charged for double the recommended charging period or for 24 h whichever is greater.	Charge 24h, The battery pass by EN 62133-2	P
4,2,4	Battery charger		P
	Chargers for EPAC are considered to be operated in a residential (household) environment.	Output:54.6V Passed by CE certificate	P
4.2.5	Electric cables and connections		P
	All connectors for cable and wire shall be selected to prevent corrosion of electrical contact conductance.		P
4.2.5.3	At an ambient room temperature (20 ± 5) ° C, discharge the fully charged EPAC battery to the discharging limit specified by the EPAC or ESA manufacturer at the maximum current allowable by the system and record it. Measure the cable and plug temperatures and ensure, by examination, that there is no deterioration of the insulation on either assembly.		N/A
4.2.6	Wiring	No sharp edges on wire way. Cannot touch moving part	P
4.2.7	Power cables and conduits		P
4.2.8	External and internal electrical connections		P
4.2.9	Moisture resistance	>IPX4	P
4.2.10	Mechanical strength test	Impact test for battery	P

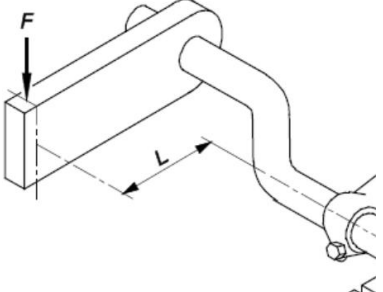
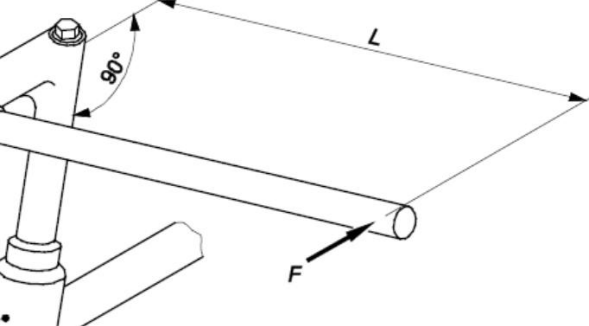
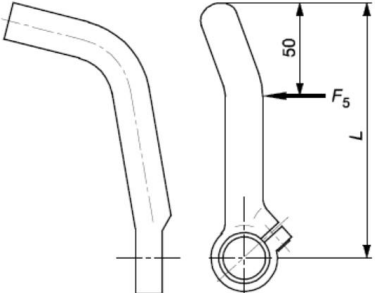
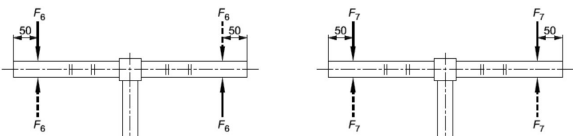
EN 15194			
Clause	Requirement – Test	Result – Remark	Verdict
	Impact energy of 0.7J.	Three times, 0.7J, No damaged	P
	Detachable batteries are submitted to free fall on a rigid surface. 0.9m Three times	Drop test for battery Three times, 0.9m No damaged	P
4.2.11	Maximum speed for which the electric motor gives assistance	25km/h	P
4.2.12	Start-up assistance mode		P
	An EPAC can be equipped with a start-up assistance mode that operates up to a maximum speed of 6 km/h. This mode shall be activated by the voluntary and maintained action of the user either when riding without pedalling or when the user is pushing the cycle.		P
4.2.13	Power management		P
	Assistance shall be cut off when the cyclist stops pedalling forward and the cut-off distance shall not exceed 2 m		N/A
	All braking devices (e.g. levers, back pedal) are equipped with cut-off switches, the cut off distance shall not exceed 5 m		P
	The power output or assistance shall be progressively reduced and finally cut off		P
	The assistance shall be progressively and smoothly managed		P
	Two independent applying actions shall be required to start the electrical assistance mode		P
4.2.14	Maximum power measurement	250W	P
4.2.15	Electro Magnetic Compatibility		P
4.2.15.1	Emission		P
4.2.15.2	Immunity		P
4.2.5.13	Battery charger		P
4.2.16	Failure mode		P
	It shall be possible to ride the EPAC by pedalling even if the assistance failed.		P
4.2.17	Anti-tampering measure	Sealing	P
4.3	Mechanical requirements		P

EN 15194			
Clause	Requirement – Test	Result – Remark	Verdict
4.3.1.5	Fatigue test	Not to exceed 10 Hz, 1 000 test cycles	P
4.3.1.6	Fatigue test for composite components	2000 cycles	P
4.3.1.7	Plastic material test ambient temperature	2h, 23°C	P
4.3.1.8	Crack detection methods	EN ISO 3452-1 No crack	P
4.3.2	Sharp edges	No sharp edge	P
4.3.3	Security and strength of safety-related fasteners		P
4.3.3.1	Security of screws	Lock-washers, lock-nuts	P
4.3.3.2	Minimum failure torque		P
4.3.3.3	Folding bicycles mechanism	Folded no damage the cables, No touch the wheel and unintentionally loosen or unlock	P
4.3.4	Protrusions	the rider is protected	P
4.3.5	Brakes		P
4.3.5.1	Braking-systems		P
4.3.5.2.1	Brake-lever position		P
4.3.5.2.1.1	Brake-lever grip dimensions		P
	The dimension, d, measured between the outer surfaces of the brake-lever in the region intended for contact with the rider's fingers and the handlebar	>40mm	P
4.3.5.2.2.2	Test method for the brake-lever similar		P
			P
4.3.5.3	Attachment of brake assembly and cable requirements	<15N	P
4.3.5.4	Brake-levers – Position of applied force.	<10N	P

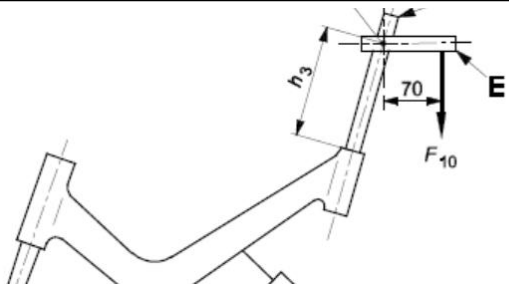
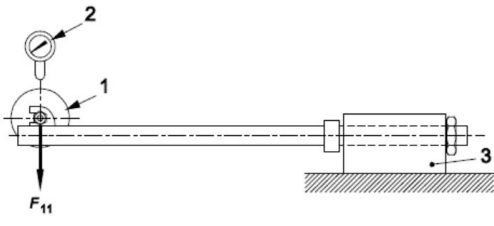
EN 15194																
Clause	Requirement – Test	Result – Remark	Verdict													
4.3.5.5	Brake-block and brake-pad assemblies – Safety test		P													
4.3.5.5.1	The friction material shall be securely attached to the holder, backing-plate, or shoe and there shall be no failure of the braking system or any component thereof		P													
4.3.5.6	Brake adjustment		P													
	Each brake shall be equipped with an adjustment mechanism either manual or automatic.	Automatic	P													
4.3.5.7	Hand-operated braking-system – Strength test	450N,10 cycle, No damage	P													
			P													
4.3.5.8	Back-pedal braking system – Strength test		P													
		1500N, 1min, No damaged	P													
4.3.5.9	Braking performance	brake-levers	P													
	<table border="1"> <thead> <tr> <th>Condition</th> <th>Brake in use</th> <th>Minimum braking performance value, B_p</th> </tr> </thead> <tbody> <tr> <td rowspan="2">Dry</td> <td>Front only</td> <td>340</td> </tr> <tr> <td>Rear only</td> <td>220</td> </tr> <tr> <td rowspan="2">Wet</td> <td>Front only</td> <td>220</td> </tr> <tr> <td>Rear only</td> <td>140</td> </tr> </tbody> </table>	Condition	Brake in use	Minimum braking performance value, B_p	Dry	Front only	340	Rear only	220	Wet	Front only	220	Rear only	140	>400	P
Condition	Brake in use	Minimum braking performance value, B_p														
Dry	Front only	340														
	Rear only	220														
Wet	Front only	220														
	Rear only	140														
4.3.5.10	Brakes – Heat-resistance test	190N $V=12.5\text{km/h}$ >60%	P													
4.3.5.11	Back-pedal brake linearity test		N/A													

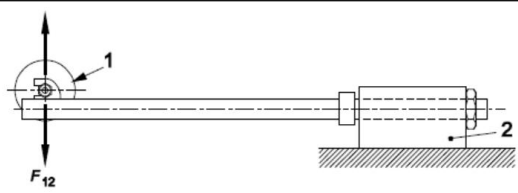

EN 15194			
Clause	Requirement – Test	Result – Remark	Verdict
4.3.6	Steering		P
4.3.6.1	Handlebar – Dimensions	<100mm	P
4.3.6.2	Handlebar grips and plugs		P
4.3.6.2.1	The ends of the handlebar shall be fitted with handgrips or end plugs. When tested by the method described in 4.3.6.2.2 and 4.3.6.2.3, the handgrips or plugs shall withstand the specified removal forces.		P
4.3.6.2.2	in water at room temperature for one hour until the handlebar is at a temperature lower than -5 °C. 	70N, 1min No damaged	P
4.3.6.2.3	Hot water test method in hot water of +60 ° C ± 2 ° C for one hour.	100N 1min No damaged	P
4.3.6.3	Handlebar stem – Insertion-depth mark or positive stop		P
	a) it shall contain a permanent, transverse mark,		P
	b) it shall incorporates a permanent stop to prevent it from being drawn out of the fork steerer such as to leave the insertion less than the amount specified in a) above		P
4.3.6.4	Handlebar stem to fork steerer – Clamping requirements		P
	the handlebar stem is clamped	<5mm	P
4.3.6.5	Steering stability		P
4.3.6.6	Steering assembly – Static strength and safety tests		P
4.3.6.6.1	Handlebar and stem assembly – Lateral bending test		P

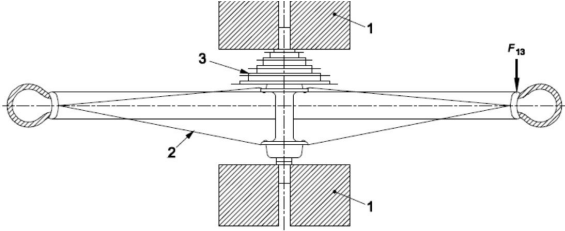
EN 15194			
Clause	Requirement – Test	Result – Remark	Verdict
4.3.6.6.1.2	When tested by the method described in 4.3.6.6.1.3, there shall be no cracking or fracture of the handlebar, stem or clamp-bolt and the permanent deformation measured at the point of application of the test force shall not exceed 15 mm	800N 1min, No damaged <3mm	P
			P
4.3.6.6.2	Handlebar-stem – Forward bending test		P
	When tested by the method described in 4.3.6.6.2.3, there shall be no visible cracks or fractures and the permanent deformation measured at the point of application of the test force and in the direction of the test force shall not exceed 10 mm.	F3: 600N 1min, <2mm F4: 2600N, No cracks	P
			P
4.3.6.6.3	Handlebar to handlebar-stem – Torsional safety test	70Nm No movement	P

EN 15194			
Clause	Requirement – Test	Result – Remark	Verdict
			P
4.3.6.6.4	Handlebar-stem to fork steerer – Torsional safety test	40Nm No move	P
			P
4.3.6.6.5	Bar-end to handlebar – Torsional safety test	300N 1min No move	P
			P
4.3.6.7	Handlebar and stem assembly – Fatigue test	F6: 220N F7: 280N	P
			P
4.3.7	Frames		P
4.3.7.2	Frame – Impact test	Drop height: 360mm A striker of mass 22,5 kg	P

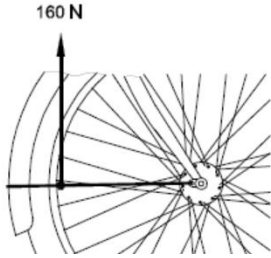
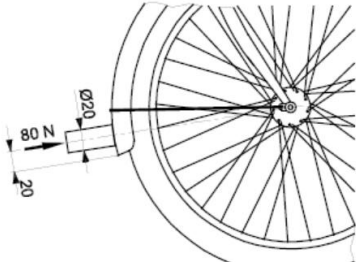
EN 15194			
Clause	Requirement – Test	Result – Remark	Verdict
4.3.7.3	Frame and front fork assembly – Impact test	1: 30kg 2: 10kg 3: 50kg Drop height: 300mm No damaged	P
			P
4.3.7.4	Frame – Fatigue test with pedalling forces	1000N 100000cycles No damaged	P
			P
4.3.7.5	Frame – Fatigue test with horizontal forces	F8: 600N F9: 600N 100000cycles No damaged	P
			P
4.3.7.6	Frame – Fatigue test with a vertical force	1100N 50000 cycles No damaged	P

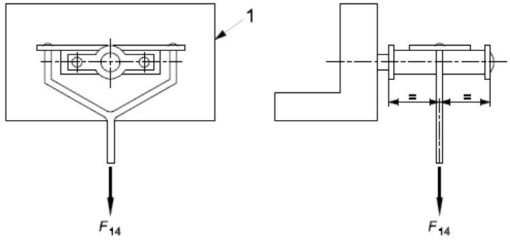
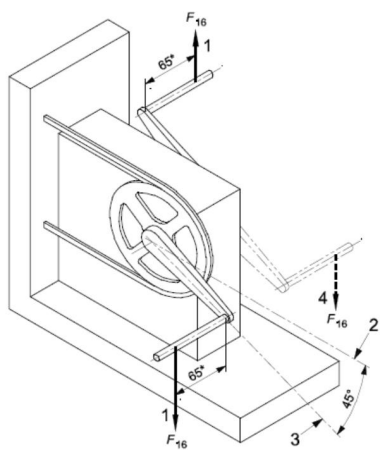
EN 15194			
Clause	Requirement – Test	Result – Remark	Verdict
			P
4.3.8	Front fork		P
4.3.8.2	Means of location of the axle and wheel retention		P
4.3.8.3.1	Tyre-clearance test	2800N 1min No damaged	P
	the tyre shall not contact the crown of the fork nor shall the components separate.		P
4.3.8.3.2	Tensile test	2300N, 1min No damaged	P
	there shall be no detachment or loosening of any parts of the assembly and the tubular, telescopic components of any fork-leg shall not separate under the test force.		P
4.3.8.4	Front fork – Static bending test	1500N to 100N No damaged	P
	there shall be no fractures or visible cracks in any part of the fork, and the permanent deformation, measured as the displacement of the axis of the wheel-axle or simulated axle in relation to the axis of the fork steerer, shall not exceed 10 mm.		P
			P
	Locate a deflection measuring device over the loading-attachment in order to measure deflection and permanent deformation of the fork perpendicular to the steerer axis and in the plane of the wheel.		P
4.3.8.5	Front fork – Rearward impact test	22.5kg 360mm 80Nm No damaged	P

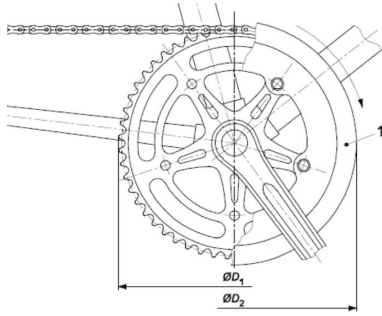
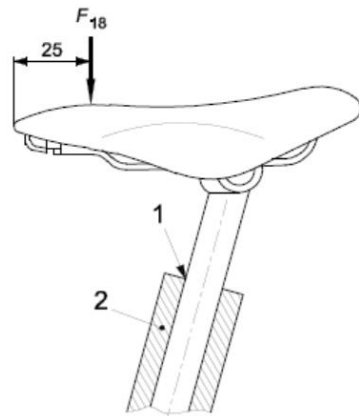
EN 15194			
Clause	Requirement – Test	Result – Remark	Verdict
4.3.8.5.1	Forks made entirely of metal		P
4.3.8.5.2	Forks which have composite parts		P
4.3.8.6	Front fork – Bending fatigue test plus rearward impact test	500N 100000 cycles No damaged	P
	there shall be no fractures in any part of the fork, and the permanent deformation, measured as the displacement of the axis of the wheel-axle or simulated axle in relation to the axis of the fork steerer, shall not exceed 45 mm. For composite forks, the running displacement (peak-to-peak value) at the points where the test forces are applied shall not increase by more than 20 % of the initial values		P
			P
4.3.8.7	Forks intended for use with hub- or disc-brakes		P
4.3.8.7.2	Static brake-torque test	1000N 1min, 100N No damaged	P
	Apply a rearward force of 1 000 N to the torque arm perpendicular to the fork steerer axis and in the plane of the wheel. Maintain this force for 1 min, then reduce the force to 100 N		P
	there shall be no fractures or visible cracks in any part of the fork.		P
4.3.8.7.4	Brake mount fatigue test	12000 cycles No damaged	P
			P
4.3.8.8	Tensile test for a non-welded fork	5000N 1min No damaged	P
	there shall be no detachment or loosening of any parts of the assembly.		P

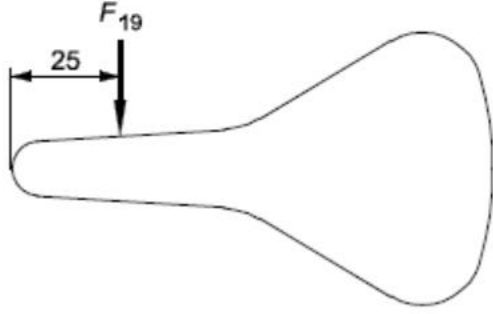
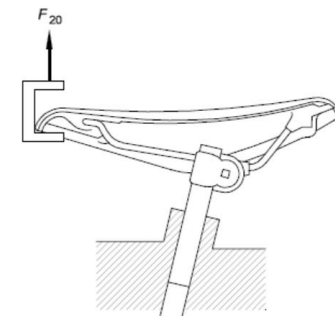
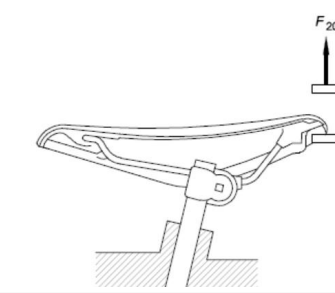
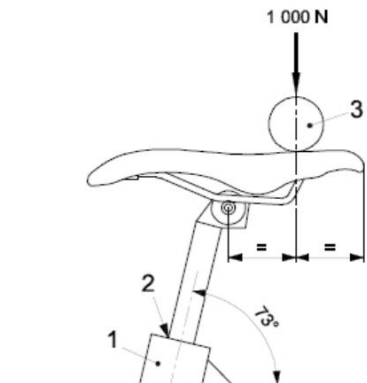
EN 15194			
Clause	Requirement – Test	Result – Remark	Verdict
4.3.9	Wheels and wheel/tyre assembly		P
4.3.9.1	Wheels/tyre assembly – Concentricity tolerance and lateral tolerance		P
4.3.9.2	Wheel/tyre assembly – Clearance	<6	P
4.3.9.3	Wheel/tyre assembly – Static strength test	250N 1min No damaged	P
			P
4.3.9.4	Wheels – Wheel retention	2300N, 1min No damaged	P
	there shall be no relative motion between the axle and the front fork/frame.		P
4.3.9.5	Wheels – Quick-release devices – Operating features		P
	<p>Any quick-release device shall have the following operating features:</p> <ul style="list-style-type: none"> a) it shall be adjustable to allow setting for tightness; b) its form and marking shall clearly indicate whether the device is in the open or locked position; c) if adjustable by a lever, the force required to close a properly set lever shall not exceed 200 N and, at this closing force there shall be no permanent deformation of the quick-release device; d) the releasing force of the clamping device when closed shall not be less than 50 N; e) if operated by a lever, the quick-release device shall withstand without fracture or permanent deformation a closing force of not less than 250 N applied with the adjustment set to prevent closure at this force; f) the wheel retention with the quick-release device in the clamped position shall be in accordance with 4.3.9.4.2, 4.3.9.4.3; g) the front wheel retention with the quick-release device in the open position shall be in accordance with 4.3.9.4.3. If applied to a lever, the forces specified in c), d), and e) shall be applied 5 mm from the tip end of the lever. 		P

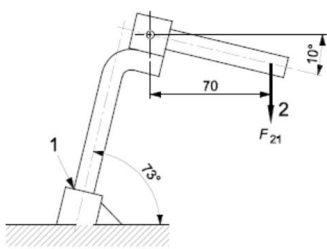
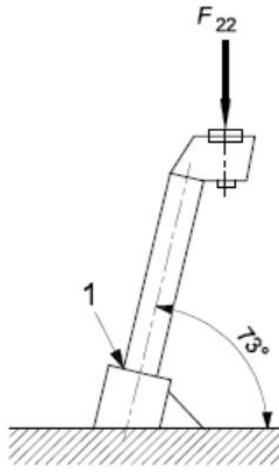
EN 15194			
Clause	Requirement – Test	Result – Remark	Verdict
4.3.10	Rims, tyres and tubes		P
4.3.10.2	Tyre inflation pressure		P
	The maximum inflation pressure recommended by the manufacturer shall be permanently marked on the side wall of the tyre so as to be readily visible when the latter is assembled on the wheel. If the rim manufacturer recommends a maximum tyre inflation pressure, it shall be clearly and permanently marked on the rim and also specified in the manufacturer's instructions. It is recommended that the minimum inflation pressure specified by the tyre manufacturer also be permanently marked on the side wall of the tyre.		P
4.3.10.3	Tyre and rim compatibility	<4mm	P
4.3.10.4	Rim-wear		P
	In the case where the rim forms part of a braking system and there is a danger of failure due to wear, the manufacturer shall make the rider aware of this danger by durable and legible marking on the rim, in an area not obscured by the tyre		P
4.3.10.5	Greenhouse effect test for composite wheels	80°C, 4h	P
	no failure of any of the components of the wheel;		P
	no tyre separation from the rim during the test;		P
	no increase in rim width greater than 5 % of the initial maximal width value		P
	compliance of lateral and concentricity tolerance		P
	compliance of tyre and rim compatibility		P
	compliance of static strength		P
4.3.11	Front mudguard		P

EN 15194			
Clause	Requirement – Test	Result – Remark	Verdict
	If front mudguard is fitted, when tested by the method described in the two-stage tests in 4.3.11.2 (for mudguard with stays) or 4.3.11.3 (for mudguard without stays), the front mudguard shall not prevent rotation of the wheel or obstruct steering.		P
4.3.11.2	Front mudguard with stays test methods		P
			P
4.3.11.3	Front mudguard without stays test methods		P
			P
4.3.12	Pedals and pedal/crank drive system		P
4.3.12.1	Pedal tread		P
	The tread surface of a pedal shall be secured against movement within the pedal assembly		P
4.3.12.1.2	Pedals intended to be used without toe-clips, or for optional use with toe-clips, shall have: a) tread surfaces on the top and bottom surfaces of the pedal; or b) a definite preferred position that automatically presents the tread surface to the rider's foot.		P
4.3.12.2	Pedal clearance		P
4.3.12.3	Pedal – Static strength test	1500N, 1min No damaged	P

EN 15194			
Clause	Requirement – Test	Result – Remark	Verdict
			P
4.3.12.4	Pedal – Impact test	15kg, 400mm No damaged	P
4.3.12.5	Pedal – Dynamic durability test	80kg, 100000 cycles 180° No damaged	P
4.3.12.6	Drive-system – Static strength test	1500N No damaged	P
4.3.12.7	Crank assembly – Fatigue test	1300N, 100000 cycles No damaged	P
			P
4.3.13	Drive-chain and drive belt		P
4.3.13.1	Drive-chain		P
	Where a chain-drive is used as a means of transmitting the motive force, the chain shall operate over the front and rear sprockets without binding. The chain shall conform to the tensile strength and push-out force requirements of ISO 9633.		P

EN 15194			
Clause	Requirement – Test	Result – Remark	Verdict
4.3.13.2	Drive belt	4000N No damaged	P
4.3.14	Chain-wheel and belt-drive protective device	$D_2 > D_1 + 10\text{mm}$	P
			P
4.3.14.3	Chain and drive belt protective device	>30mm	P
4.3.14.4	Combined front gear-change guide	>30mm	P
4.3.15	Saddles and seat-posts		P
	No part of the saddle, saddle supports, or accessories to the saddle shall be more than 125 mm above the top saddle surface at the point where the saddle surface is intersected by the seat-post axis.		P
4.3.15.2	Seat-post – Insertion-depth mark or positive stop		P
4.3.15.3	Saddle/seat-post – Safety test	F18: 650N 1min No damaged. F19: 250N 1min No damaged	P
			--

EN 15194			
Clause	Requirement – Test	Result – Remark	Verdict
			--
4.3.15.4	Saddle – Static strength test	F20: 400N 1min No damaged	P
			--
			P
4.3.15.5	Saddle and seat-post clamp – Fatigue test	1000N 200000 cycles No damaged	P
			--

EN 15194			
Clause	Requirement – Test	Result – Remark	Verdict
4.3.15.6	Seat-post – Fatigue test	1000N, 100000 Cycles No damaged	P
			--
		F22: 2000N 1min No damaged	N/A
4.3.16	Spoke protector		P
	EPAC bicycles with multiple free-wheel/cassette sprockets shall be fitted with a spoke-protector guard to prevent the chain interfering with or stopping rotation of the wheel through improper adjustment or damage.		P
4.3.17	Luggage carriers		N/A
4.3.18	Road-test of a fully-assembled EPAC		N/A
4.3.19	Lighting systems and reflectors		P
4.3.19.2	Wiring harness		P
	When a wiring harness is fitted, it shall be positioned to avoid any damage by contact with moving parts or sharp edges. All connections shall withstand a tensile force in any direction of 10 N.		P
4.3.19.3	Lighting systems		P

EN 15194			
Clause	Requirement – Test	Result – Remark	Verdict
	The lighting system consists of a front and a rear light. These devices shall comply with the provisions in force in the country in which the product is marketed. If there are no forced provisions of these devices, the lighting system shall comply with the requirements of ISO 6742-1.		P
4.3.19.4	Reflectors		P
4.3.19.4.2	Rear reflectors		P
4.3.19.4.3	Side reflectors		N/A
4.3.19.4.4	Front reflectors		N/A
4.3.19.4.5	Pedal reflectors		N/A
4.3.20	Warning device		P
	Where a bell or other suitable device is fitted, it shall comply with the provisions in force in the country in which the product is marketed.		P
4.3.21	Thermal hazards		N/A
	A warning shall be placed on the surface if the temperature of the hot accessible surface could be above 60 °C		N/A
4.3.22	Performance levels (PLrs) for control system of EPACs		N/A
4.4	List of significant hazards		P

EN 15194			
Clause	Requirement – Test	Result – Remark	Verdict
	The following significant hazards have been considered in this standard: NOTE 1 The risk analysis was focused on EPAC as bicycles for city and trekking, including folding bicycles. Mountain bike and racing bike were not considered. a) Mechanical hazards: high deceleration, high acceleration, Protrusion, instability; kinetic energy; rotating elements and moving elements, rough, slippery surface, sharp edges; b) Electrical hazards: electromagnetic phenomena; electrostatic phenomena; overload; short-circuit; thermal radiation; NOTE 2 The strength of the battery holder combination should the EPAC fall to the side will be considered at the next revision. c) Thermal hazards: explosion; flame; radiation from heat sources; d) Ergonomic hazards: effort; lighting; posture; e) Hazards associated with the environment in which the machine is used: water (rain and projection); f) Combination of hazards: braking under wet and dry condition, handgrips, motor management system, engine power management, installed braking power.		P
5	Marking, labelling		P
	<ul style="list-style-type: none"> — contact and address of the manufacturer or authorized representative; — EPAC according to EN 15194; — appropriate marking required by legislation (CE); — year of construction, that is the year in which the manufacturing was completed (it is not possible to use a code); — cut off speed XX km/h; — maximum continuous rated power XX kW; — maximum permissible total weight (e.g. marked near the seat post or handlebar); — designation of series or type; — individual serial number if any; — mass if EPAC mass is more than 25 kg — mass of the EPAC in the most usual configuration. 		P
	<ul style="list-style-type: none"> a) visibly and permanently marked with a successive frame number at a readily visible location such as near the pedal-crank, the seat-post, or the handlebar; b) visibly and durably marked, with the name of the manufacturer of complete EPAC or the manufacturer's representative and the number of this document, i.e. EN 15194.; the method of testing for durability is specified in 5.2 		P

EN 15194			
Clause	Requirement – Test	Result – Remark	Verdict
	e) front fork; f) handlebar and handlebar-stem; g) seat-post; h) brake-levers, brake blocks and/or brake-block holders; i) outer brake-cable casing; j) hydraulic-brake tubing; k) disc-brake callipers, brake-discs, and brake pads; l) chain; m) pedals and cranks; n) bottom-bracket spindle; o) wheel-rims.		P
5.2	Durability test	Water 15s Petroleum spirit 15s	P
6	Instruction for use		P

Photos







****End of Test Report****